

## Fire/Smoke Damper – Model 771 & 771-3 CLASS 1 771 (1-1/2 hr.) rated 771-3 (3 hr.) rated

**Features** – U.L. rated for static/dynamic closure & leakage CLASS I @ 350° F, 771 (2-hour) and 771-3 (4-hour) walls or floors in the HVAC systems with velocities to 2000 FPM and pressure to 4" W.G. Meets NFPA 90A & UL555 & UL555S. Meets California State Fire Marshal requirements.

### STANDARD CONSTRUCTION

**FRAME**

4-5/16" deep, 16 gauge galvanized steel

**BLADES**

6" wide triple "V", 16 gauge galvanized steel  
(Bottom blade width may vary depending on damper height)

**BLADE AXLES & BEARINGS**

AXLES – 7/16" Plated hex  
BEARINGS – Bronze oil impregnated

**LINKAGE**

Plated steel in opposed blade configuration, concealed inside the jamb.  
Operator shaft is 1/2" steel rod extending 4-1/2" from damper side

**SEALS**

Extruded Silicone blade seals and stainless steel jamb seals

**MAXIMUM UL CLASSIFIED LEAKAGE CLASS I SIZES**

Single section assemblies:

771 (36" x 48")  
771-3 (36" x 36")

**MULTIPLE ASSEMBLIES**

Multiple assemblies: (made of sections no larger than above sizes)

771 (144" x 96") vertical or horizontal mount  
771-3 (144" x 36" max.) vertical or horizontal mount

**MINIMUM UL CLASSIFIED LEAKAGE CLASS I SIZE**

771 8"W x 6"H  
771-3 8"W x 6"H

**SLEEVE**

18 ga. x 16" deep galvanized steel

**UNDERSIZED**

1/4" under ordered size unless specified Exact or Actual

**FINISH**

Galvanized

**HEAT SENSOR**

165°F standard.

**OPERATOR**

Refer to UL approved actuator chart  
(Specify external or internal mounting)

### OPTIONAL CONSTRUCTION

**HEAT SENSOR** - 212°F, 250°F, or 350° F

**SPECIFIED MATERIAL** – Available in stainless steel and in heavier gauge.

**SLEEVE AND DUCTWORK CONNECTION** – 10 ga. to 20 ga. galvanized steel to 30" in length. – Transitions available in: round, oval, rectangular or custom.

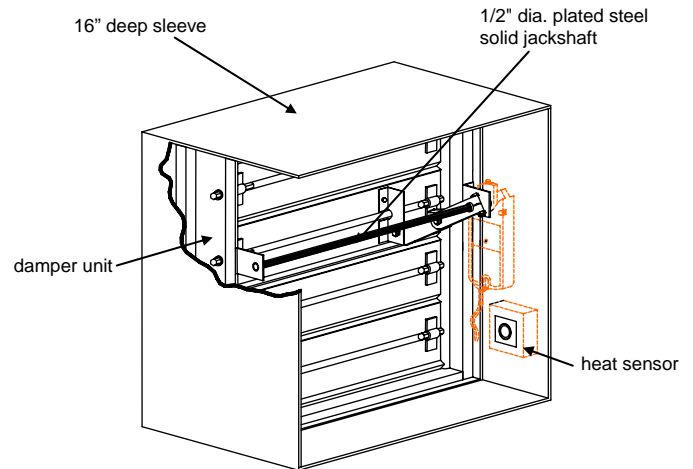
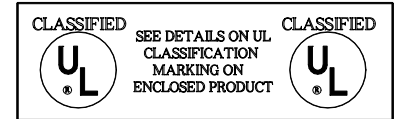
Factory can install access door, retaining angles, flange connections, or security bars

Dampers 11" high and under will be single blade, and extend from the frame proportionately

### ACCESSORIES

Smoke Detector  
Monitoring Station

Indicator Switches  
Dual Sensors



### APPROVED ACTUATORS

	Honeywell	Siemens	Belimo
24 Vac -	ML 8115	GND121.1U	FSNF24 US*
	MS 8209	GND126.1U	
	MS 8120	GGD121.1U	
120 Vac -	ML 4115	GND221.1U	FSNF120 US*
	MS 4209	GND226.1U	
	MS 4120	GGD221.1U	
230 Vac -		GND321.1U	
		GGD321.1U	
Pneumatic – (8-13 PSI)		331-2961	
		331-3060	
		331-4826	

\* Only for dampers up to 24" x 24"

DATE	ARCHITECT			ENGINEER
PROJECT				
ITEM	QTY	W	H	DESCRIPTION



DEPENDABLE PRODUCTS SINCE 1955

**SAFE-AIR OF ILLINOIS, INC.**

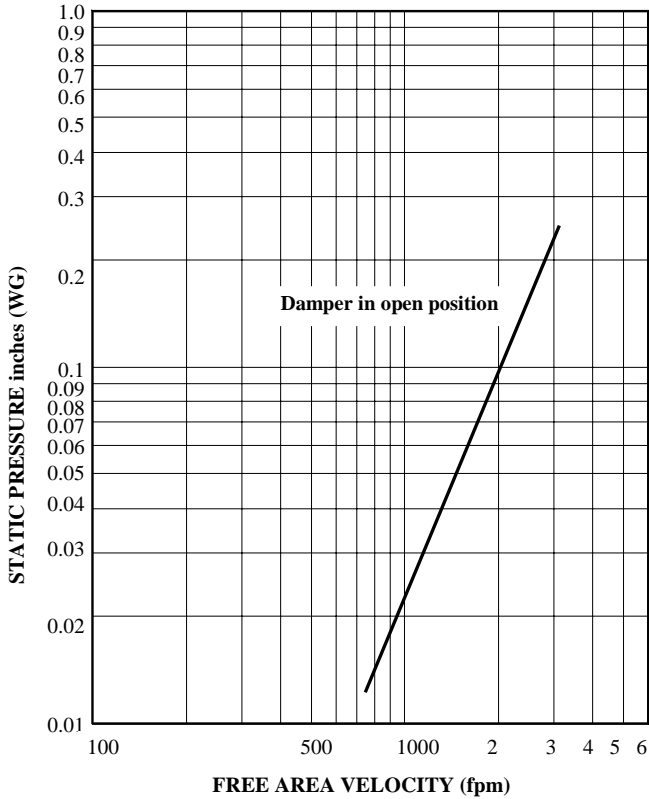
Engineering and General Offices

1855 South 54th Avenue, Cicero, Illinois 60804

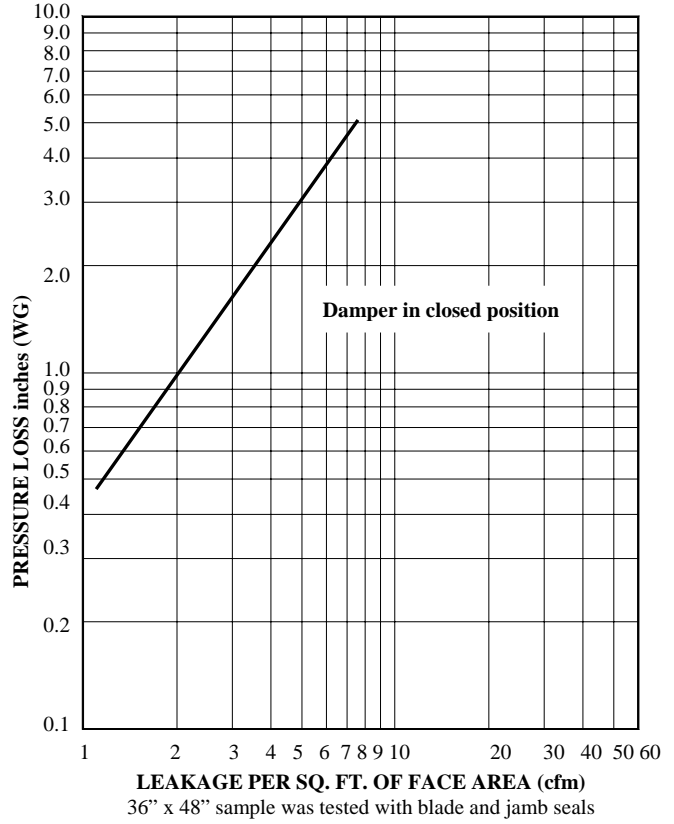
Phone 708-652-9100 FAX 708-652-9158

All tests performed at an independent laboratory and based on AMCA's standard 500-D for Air Performance, Air Leakage, and Free Area.

**AIR PERFORMANCE**



**AIR LEAKAGE**



LEAKAGE PER SQ. FT. OF FACE AREA (cfm)  
36" x 48" sample was tested with blade and jamb seals

**FREE AREA CALCULATIONS IN SQ. FT.**

**WIDTH**

<b>HEIGHT</b>	<b>WIDTH</b>							
	<b>Inches</b>	<b>12</b>	<b>16</b>	<b>20</b>	<b>24</b>	<b>28</b>	<b>32</b>	<b>36</b>
<b>12</b>		0.56	0.78	1.00	1.22	1.44	1.67	1.89
<b>16</b>		0.83	1.17	1.50	1.83	2.17	2.50	2.83
<b>20</b>		1.06	1.48	1.91	2.33	2.75	3.18	3.60
<b>24</b>		1.28	1.80	2.31	2.83	3.34	3.85	4.37
<b>28</b>		1.51	2.11	2.72	3.32	3.93	4.53	5.14
<b>32</b>		1.79	2.50	3.22	3.93	4.65	5.36	6.08
<b>36</b>		2.01	2.82	3.63	4.43	5.24	6.04	6.85
<b>40</b>		2.37	3.30	4.23	5.17	6.10	7.04	7.97
<b>44</b>		2.60	3.63	4.66	5.68	6.71	7.74	8.77
<b>48</b>		2.84	3.96	5.08	6.20	7.32	8.44	9.56